

## ML6435B

### ELECTRIC LINEAR ACTUATOR FOR FLOATING CONTROL

#### SPECIFICATION DATA



#### FEATURES

- Easy and quick installation
- No separate linkage required
- No adjustments
- Low power consumption
- Force-limiting end switches
- Spring return
- Models for low and line voltage
- Synchronous motor
- Corrosion-resistant design
- Maintenance-free

#### SPECIFICATIONS

##### Temperature Limits

Ambient operating limits	0...+50 °C at 5 to 95% rh
Ambient storage limits	-40...+70 °C at 5 to 95% rh
Medium valve temperature	Max. +130 °C

##### Safety

Protection standard	IP54 as per with EN60529
Protection class	II as per with EN60730-1
Flame retardant	V0 as per UL94 (optional with metal cable gland)

##### Wiring

Terminals	1.5 mm <sup>2</sup>
Cable entry	PG13.5 with cutout ring

##### Weight

0.5 kg

##### Dimensions

See Fig. 1 on page 3

##### Material

Cover	ABS-FR
Base	Glass fiber reinforced plastic

#### GENERAL

The ML6435B actuator is designed to provide floating control together with the small linear valves V5832B/V5833A (DN25...DN40) and V5825B/V5872B for high-differential pressure.

These valve-actuator combinations are suitable especially for integration into compact or conventional stations for direct or indirect district heating connections, air handling units, and roof top units.

The V5825B or V5872B valve and ML6435B actuator combination provides safety close-off function and is approved according to DIN32730.

OS-number	ML6435B1008	ML6435B1016
supply voltage	24 Vac -15/+20%, 50/60 Hz	230 Vac +10/-15%, 50/60 Hz
power consumption	5 VA	6 VA
signal input 1	Supply voltage between terminals 1 and 24V~; actuator stem extends.	Supply voltage between terminals 1 and 230V~; actuator stem extends.
signal input 2	Supply voltage between terminals 2 and 24V~; actuator stem retracts.	Supply voltage between terminals 2 and 230V~; actuator stem retracts.
nominal stroke	6.5 mm	
run-time at 50 Hz	60 s	
nominal stem force	400 N	
spring return time	≈10 s	
spring return direction	Actuator stem retracts at power failure	

## OPERATION

### General

The drive of a synchronous motor is converted into linear motion of the actuator stem by using a spur gear transmission. Actuator and valve are directly connected by a nut.

An integrated mechanism limits the stem force.

Installed microswitches switch off the actuator precisely when the specified stem force is reached.

### Manual Operation

The actuator is equipped with a manual operator (for 8mm Hex Key). Manual operation is possible only after the power supply is switched off or disconnected. It disables the actuator safety function and should be used only for the purpose of checking the valve operation.

The manual operator is located under the cover.

### Spring Return

The ML6435B spring return actuator provides a defined safety position of the valve in case of power failure.

## Suitable Valves

	DN15	DN20	DN25	DN32	DN40	order no.
close-off pressure in kPa	1600	--	1600	--	--	V5872B
	-	--	1600	1200	1000	V5832B
	-	--	1600	1200	1000	V5833A
	2500	2500	2500	2500	--	V5825B

## Spare Parts

actuator	spare parts	
	name	order no.
ML6435B1008	motor assembly	43196492-001
	circuit board	43196494-001
ML6435B1016	motor assembly	43196492-002
	circuit board	43196494-002

## APPROVALS

**NOTE:** Actuators ML6435B1008 and ML6435B1016 in combination with the following valves are approved according to DIN 32730:

valve OS-no.	DIN registration no.
V5872B	1F15299
V5825B	1F15903

## DIMENSIONS

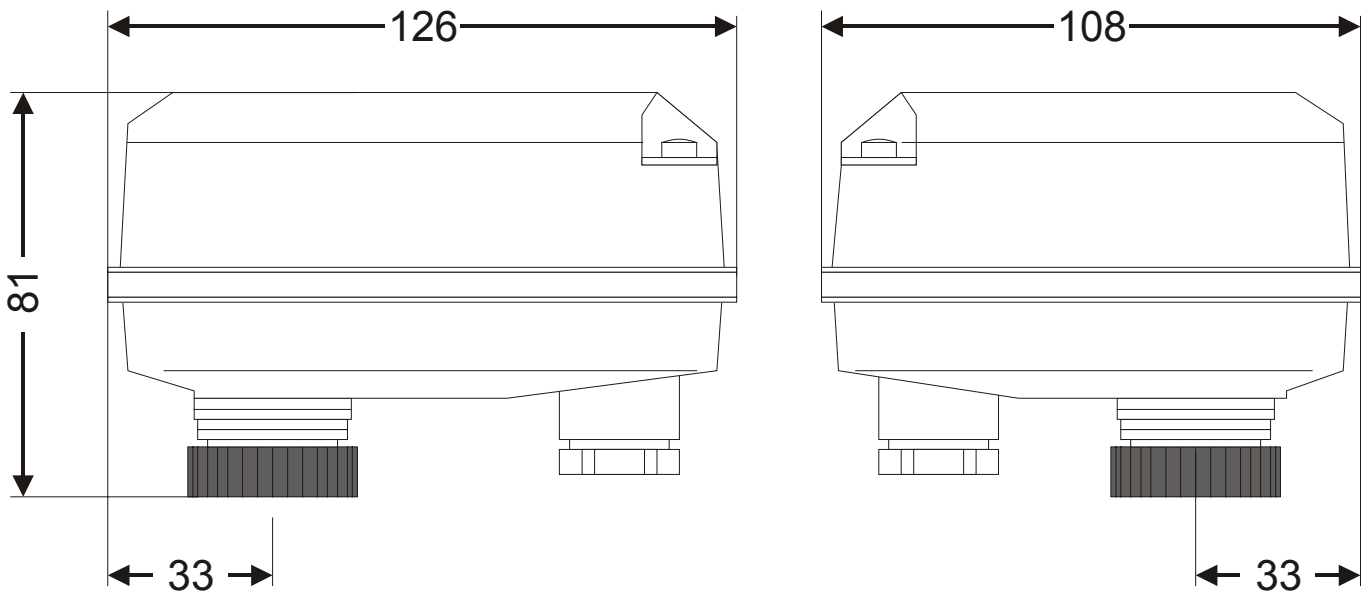


Fig. 1. Dimensions in mm

## WIRING

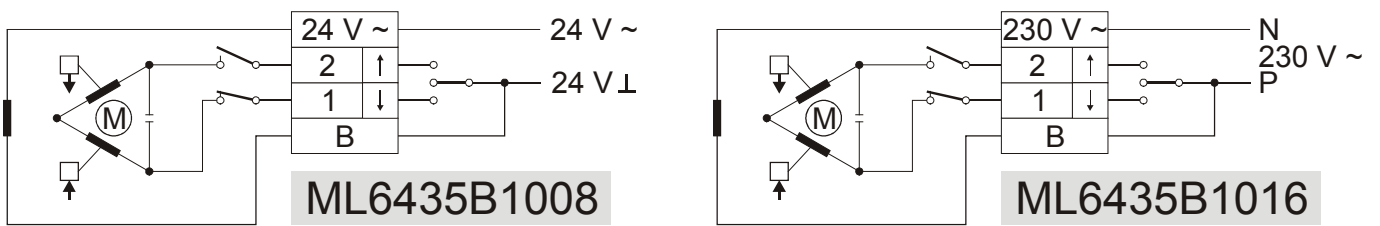


Fig. 2. Wiring

**Honeywell**

---

**Automation and Control Solutions**

Honeywell AG  
Böblinger Straße 17  
D-71101 Schönaich  
Phone: (49) 7031 63701  
Fax: (49) 7031 637493  
<http://europe.hbc.honeywell.com>

Subject to change without notice. Printed in Germany

EN0B-0259GE51 R0403

Manufacturing location certified to **DIN EN ISO  
9001/14001**